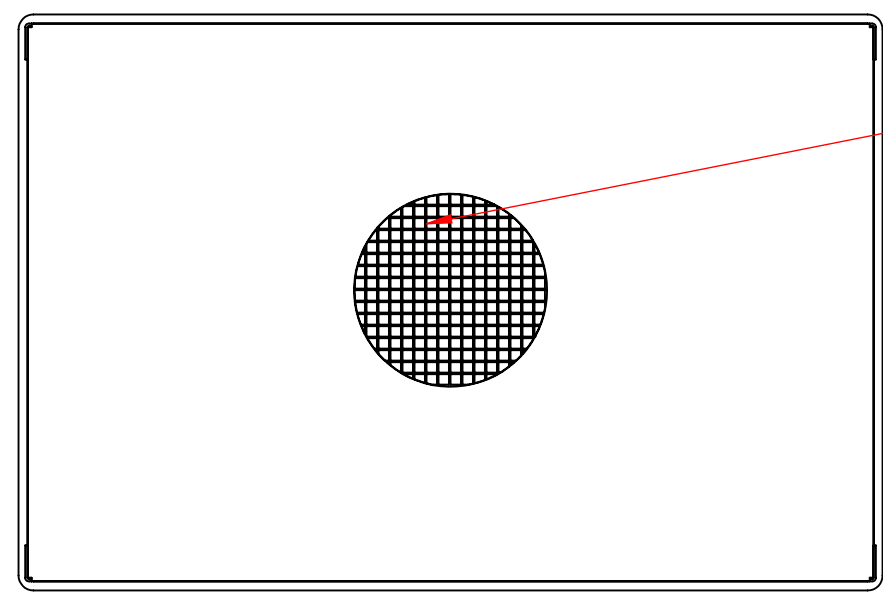
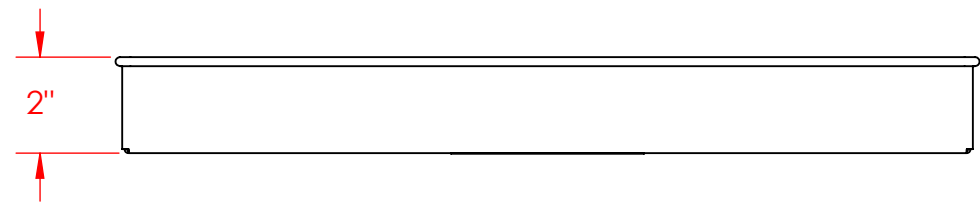
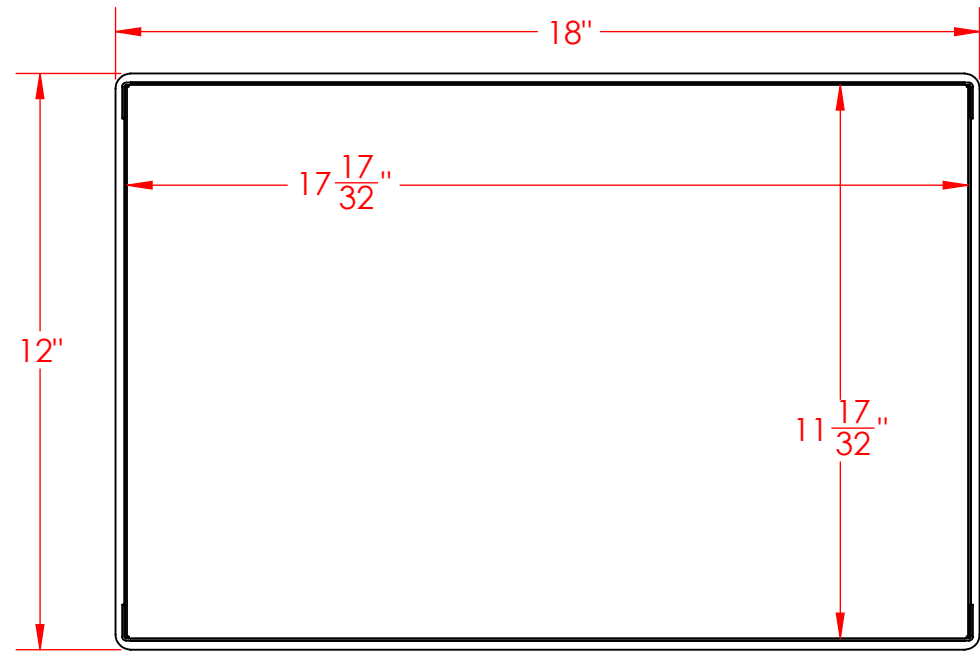
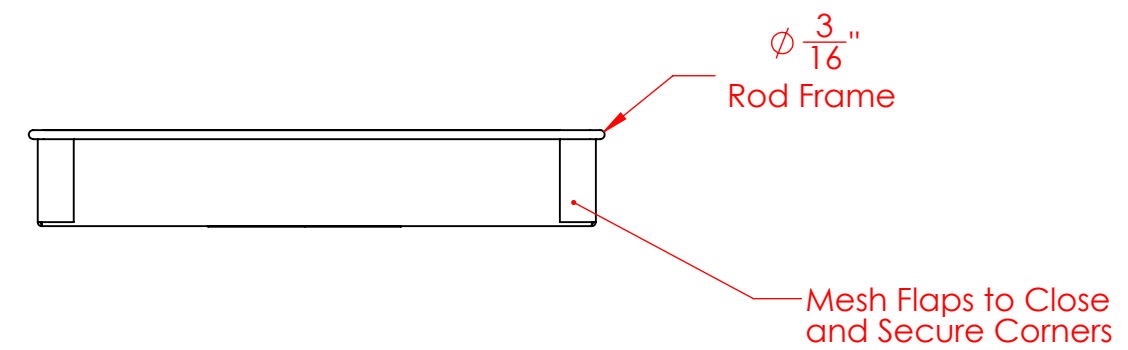
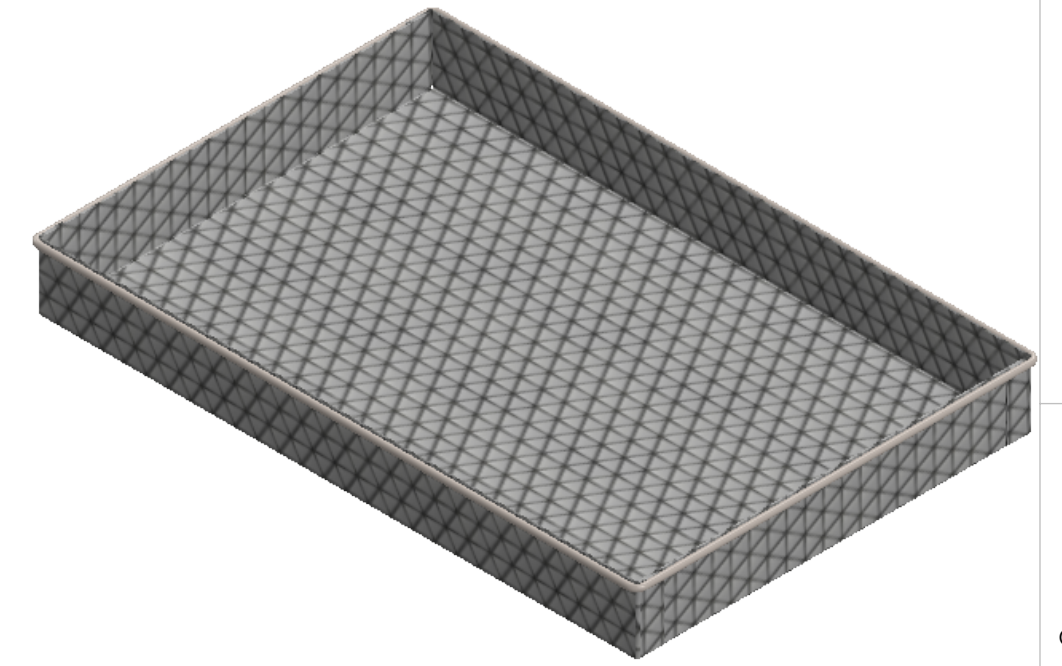


8 7 6 5 4 3 2 1

D
C
B
A



One Piece Mesh Body of
4 Mesh x .032" Welded Wire
(.218" Openings, 76% Open Area)



UNLESS OTHERWISE SPECIFIED:
DIMENSIONS ARE IN INCHES
TOLERANCES:
FRACTIONAL \pm 1/16"
ANGULAR: \pm 5 DEG.
TWO PLACE DECIMAL \pm 0.03
THREE PLACE DECIMAL \pm 0.015

EST WGT
1.1 lbs.
MATERIAL
304 Stainless Steel
FINISH
Natural

Light Duty Mesh Basket:
18Lx12Wx2H, 304 SS, No Handles,
Mesh: 4 x .032

SIZE **B** DWG. NO.
FLB-180120020-N04S

PROPRIETARY AND CONFIDENTIAL
THE INFORMATION CONTAINED IN THIS
DRAWING IS THE SOLE PROPERTY OF
THREE M TOOL. ANY REPRODUCTION IN
PART OR AS A WHOLE WITHOUT THE
WRITTEN PERMISSION OF THREE M TOOL
IS PROHIBITED.

DO NOT SCALE DRAWING SCALE: 1:4 SHEET 1 OF 1

8 7 6 5 4 3 2 1